

# ***Collapsible Trolley Cart***

**IMPORTANT!** PLEASE READ THESE INSTRUCTIONS CAREFULLY. NOTE ALL SAFETY INSTRUCTIONS AND WARNINGS. USE THE PRODUCT CORRECTLY AND WITH CARE FOR THE PURPOSE FOR WHICH IT IS INTENDED. FAILURE TO FOLLOW THESE INSTRUCTIONS MAY CAUSE DAMAGE TO PROPERTY AND/OR PERSONAL INJURY.

**PLEASE KEEP THESE INSTRUCTIONS SAFE AND AVAILABLE FOR FUTURE REFERENCE.**

## ***CERTIFICATE OF GUARANTEE***

---

This product is guaranteed for a period of 1 Year, with effect from the date of purchase and applies only to the original purchaser. This guarantee only applies to defects arising from, defective materials and or faulty workmanship that become evident during the guarantee period only and does not include consumable items. The manufacturer will repair or replace the product at their discretion subject to the following. That the product has been used in accordance with the guidelines as detailed in the product manual and that it has not been subjected to misuse, abuse or used for a purpose for which it was not intended. That it has not been taken apart or tampered with in any way whatsoever or has been serviced by unauthorised persons or has been used for hire purposes. Transit damage is excluded from this guarantee. Claims made under this guarantee must be made in the first instance, directly to the retailer within the guarantee period. Only under exceptional circumstances should the product be returned to the manufacturer. In this case it may be the consumer's responsibility to return the product at their cost ensuring that the product is adequately packed to prevent transit damage and must be accompanied with a brief description of the fault and a copy of the receipt or other proof of purchase. The manufacturer shall not be liable for any special, exemplary, direct, indirect, incidental or consequential loss or damage under this guarantee.

## ***INTRODUCTION***

---

Thank you for purchasing this product which has passed through our extensive quality assurance process. Every care has been taken to ensure that it reaches you in perfect condition. However, in the unlikely event that you should experience a problem, or if we can offer any assistance or advice please do not hesitate to contact our customer care department.

## ***HELPLINE & SPARE PARTS***

---

In the unlikely event of a defect occurring please contact our Helpline.  
Office hours: Monday - Friday 9:00am - 5:00pm. Telephone Number 01332 576 850

## **INTENDED USE**

---

This trolley is already assembled. Use this three tier trolley for storage of various tools and accessories. The trolley is supplied with castors to allow easy movement and brakes to hold the item in place during use.

- **No Installation Required, Ready to Use:** Can be used immediately upon opening, saving time and effort.
- **Sturdy Structure, Strong Load Capacity:** Constructed with PP+ alloy body and a triangular support frame design, supporting up to 60kg.
- **Three-Tier High-Capacity Design:** Provides ample storage space for the organized placement of tools and accessories.
- **TPR Wear-Resistant Casters:** Equipped with four swivel casters, two of which include brakes, ensuring flexible movement without damaging floors.
- **Foldable for Storage:** Compact when folded, easy to store, and space-saving.
- **User-Friendly Design:** Includes cart locking clasps and anti-slip handles for enhanced safety and convenience.

## **TECHNICAL SPECIFICATIONS**

---

<b>Item</b>	TROCA001
<b>Weight Capacity</b>	60 kg
<b>Unfolded Size (L x W x H)</b>	660x425x850mm
<b>Folded Size (L x W x H)</b>	425x165x1075mm
<b>Caster Size</b>	3"

## **SAFETY INSTRUCTIONS**

---

### **WARNING!**

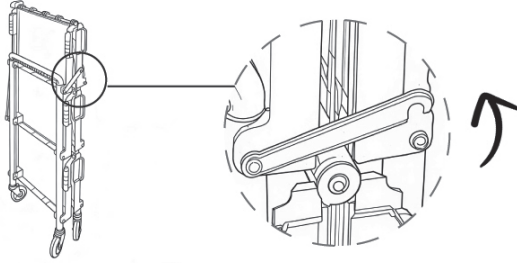
- Do not exceed rated capacity.
- Use only on a hard, level surface capable of supporting the load.
- No alterations should be made to this product.

# ASSEMBLY

---

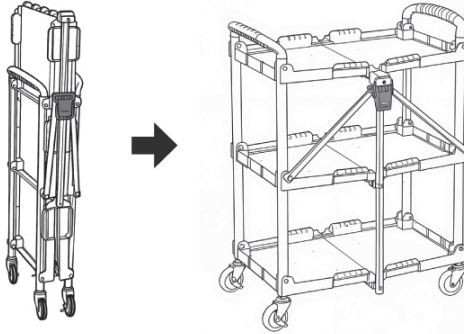
## Step 1

After unboxing, take out the three-tier foldable cart and push the metal latch upwards.



## Step 2

Unfold the cart fully.



## Step 3

Lock the buckle into place.

